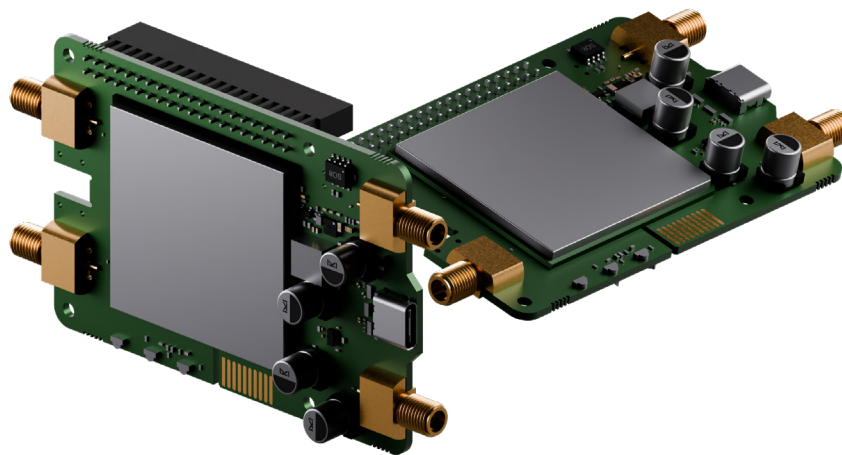




CALYX

Embedded Cellular Raspberry Pi HAT+



Industrial & automation



Energy & utilities



Smart city



Enterprise



Retail

OPTIMAL FORM FACTOR

Mount seamlessly on Raspberry Pi 4/5

GPIO MODEM CONTROL

Wake, reset, and manage the modem via Pi pins

PCM ENHANCED AUDIO

Enable clean, low-latency audio transfer

VERSATILE CONNECTIVITY

Choose the right option: 4G Cat 4, 5G Redcap, or full-fledge 5G

Mobile

Calyx 4G / EBD021	
Mobile module	4G LTE-FDD (Cat 4) – 75Mbps DL, 50Mbps UL; LTE-TDD (Cat 4) – 65Mbps DL, 35Mbps UL; DC-HSPA+ – 42Mbps DL, 5.76Mbps UL; 3G – 384 kbps DL, 384 kbps UL, 2G EDGE – 236.8 kbps DL, 236.8 kbps UL, 2G GPRS – 85.6 kbps DL, 85.6 kbps UL
3GPP Release	Release 9
Calyx 5G / EBD050	
Mobile module	5G Sub-6Ghz SA/NSA 2.4/3.4Gbps DL (4x4 MIMO), 900/550 Mbps UL (2x2); 4G LTE Cat 19 up to 1.6 Gbps DL/ 200 Mbps UL; 3G up to 42 DL/ 5.76 UL Mbps
3GPP Release	Release 16
Calyx 5G Red Cap / EBD070	
Mobile module	5G Sub-6Ghz SA 223 Mbps DL/123 Mbps UL; 4G LTE (Cat 4) up to 195 Mbps DL/105 Mbps UL
3GPP Release	Release 17

USB

Calyx 4G / EBD021; Calyx 5G Red Cap / EBD070	
Data rate	USB 2.0
Calyx 5G / EBD050	
Data rate	USB 3.0

40-pin GPIO header

PWR_KEY	Modem turn on/off. Digital Input, 0 - 3.3 V logic level, active High, to activate use pulse (≥500 ms)
Modem reset	Resets the modem. Digital Input, 0 - 3.3 V logic level, active High
PCM	Digital Interface, 0 - 3.3 V logic level
Modem wakeup	Wake up modem from a sleep mode. Digital Input, 0 - 3.3 V logic level, active High - Calyx 4G / EBD021; Digital Input, 0 - 3.3 V logic level, active Low - Calyx 5G / EBD050; Calyx 5G Red Cap / EBD070

Power

USB type C	5 VDC
40-pin GPIO header	On a 40-pin header, 5 VDC and 3.3 VDC

Physical Interfaces

Status LEDs	1 x Power, NET IND, NET STAT
SIM	1 x SIM slot (Nano SIM - 4FF), push-pull
Power	On a 40-pin header/USB power
USB	USB Type-C receptacle

Calyx 4G / EBD021; Calyx 5G Red Cap / EBD070

Antennas	2 x SMA for Mobile
----------	--------------------

Calyx 5G / EBD050

Antennas	4 x SMA for Mobile
----------	--------------------

Physical Specification

Weight	57 g
Mounting options	With included mounting kit

Calyx 4G / EBD021; Calyx 5G Red Cap / EBD070

Dimensions (W x H x D)	56 x 23.11 x 95.48 mm
------------------------	-----------------------

Calyx 5G / EBD050

Dimensions (W x H x D)	56 x 23.11 x 100.8 mm
------------------------	-----------------------

Operating Environment

Operating temperature	-40 °C to 75 °C
-----------------------	-----------------

Regulatory & Type Approvals

Calyx 4G / EBD021; Calyx 5G / EBD050

Regulatory	CE, UKCA, EAC, UCRF, RCM, CB, WEEE
------------	------------------------------------

Calyx 5G Red Cap / EBD070

Regulatory	CE, UKCA, EAC, UCRF, FCC, ISED (IC), RCM, CB, WEEE
------------	--

EMC Emissions & Immunity

Calyx 4G / EBD021

Standards	<p>EN 55032:2015+ A11:2020 + A1:2020 EN 55035:2017+A11:2020 EN 61000-3-3:2013+A1:2019+A2:2021 EN IEC 61000-3-2:2019+A1:2021+A2:2024 EN 301 489-1 V2.2.3 EN 301 489-17 V3.3.1 EN 301 489-52 V1.2.1</p>
-----------	---

Calyx 5G / EBD050

Standards	<p>EN 55032:2015+ A11:2020 + A1:2020 EN 55035:2017+A11:2020 EN 61000-3-3:2013+A1:2019+A2:2021 EN IEC 61000-3-2:2019+A1:2021+A2:2024 EN 301 489-1 V2.2.3 EN 301 489-3 V2.3.2 EN 301 489-17 V3.3.1 EN 301 489-19 V2.2.1 EN 301 489-52 V1.2.1</p>
-----------	--

Calyx 5G Red Cap / EBD070

Standards	<p>EN 55032:2015+ A11:2020 + A1:2020 EN 55035:2017+A11:2020 EN 61000-3-3:2013+A1:2019+A2:2021 EN IEC 61000-3-2:2019+A1:2021+A2:2024 EN 301 489-1 V2.2.3 EN 301 489-17 V3.3.1 EN 301 489-19 V2.2.1 EN 301 489-52 V1.2.1 47 CFR Part 15, Subpart B</p>
-----------	--

RF

Calyx 4G / EBD021; Calyx 5G / EBD050

Standards	<p>EN 301 908-1 V15.2.1 EN 301 908-2 V13.1.1 EN 301 908-13 V13.2.1 EN 301 908-25 V15.1.1</p>
-----------	---

Calyx 5G Red Cap / EBD070

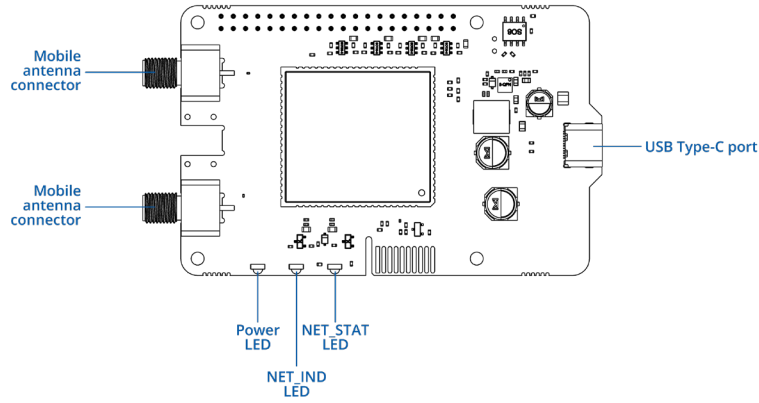
Standards	<p>EN 301 908-1 V15.2.1 EN 301 908-13 V13.2.1 EN 301 908-25 V15.1.1</p>
-----------	---

Safety

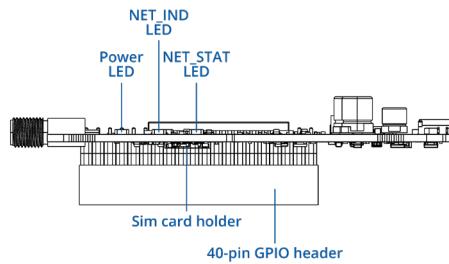
Standards	<p>CE: EN IEC 62311:2020 RCM: AS/NZS 62368.1:2022 CB: EN IEC 62368-1:2020+A11:2020</p>
-----------	---

EBD021 & EBD070 Hardware

TOP VIEW

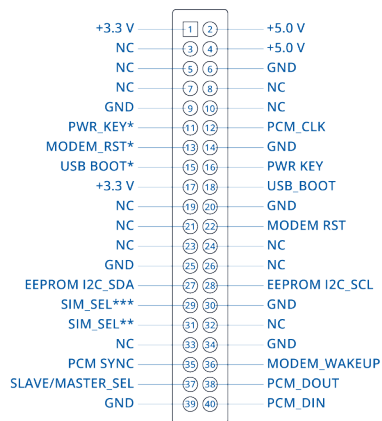


LEFT VIEW



GPIO Connector Pinout

TOP VIEW



NC - Not Connected

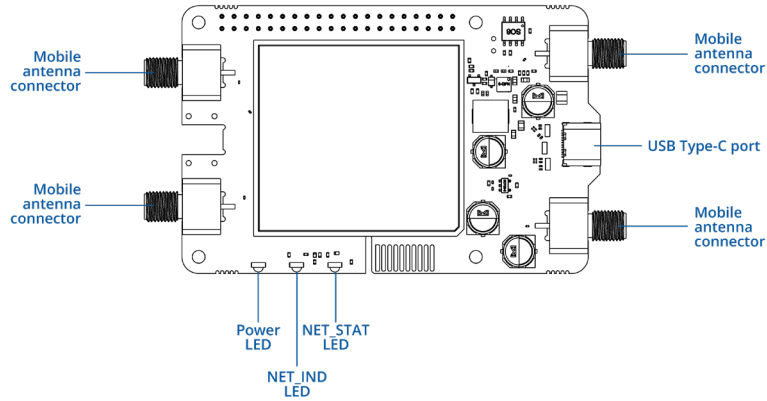
* Alternative pin (with a different assembly)

** Only in EBD021 with eSIM variant

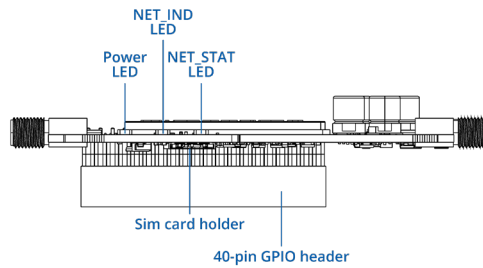
*** Alternative pin (with a different assembly), only in EBD021 with eSIM variant

EBD050 Hardware

TOP VIEW

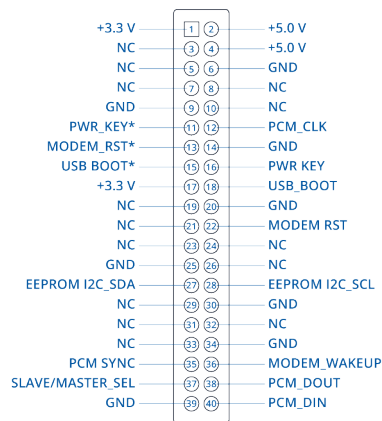


LEFT VIEW



GPIO Connector Pinout

TOP VIEW

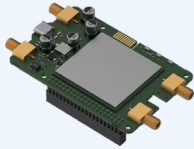


NC - Not Connected

* Alternative pin (with a different assembly)

Ordering

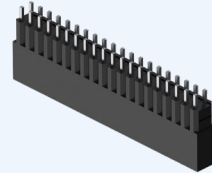
Standard package*



CALYX



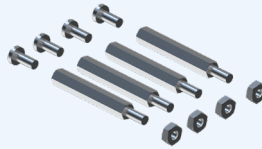
QUICK START GUIDE



PCB CONNECTOR



USB TYPE-C TO
USB TYPE-A CABLE



FASTENERS KIT

*Standard package contents may differ based on standard order codes.

For more information on all available packaging options – please [contact us](#) directly.

Classification codes

HS Code: 851762

HTS: 8517.62.00

Available versions

EBD021 0***** EMEA ¹ , Thailand, Australia, New Zealand Calyx 4G / EBD021	4G (LTE-FDD): B1, B3, B5, B7, B8, B20, B28 4G (LTE-TDD): B38, B40, B41 3G: B1, B8 2G: B3, B8	EBD021000000 / Standard package without PSU
EBD050 0***** EMEA ¹ , APAC, Brazil Calyx 5G / EBD050	5G NR(SA/NSA): n1, n3, n5, n7, n8, n20, n28, n38, n40, n41, n71, n75, n76, n77, n78 4G (LTE-FDD): B1, B3, B5, B7, B8, B20, B28, B32, B71 4G (LTE-TDD): B38, B40, B41, B42, B43 3G: B1, B5, B8	EBD050000000 / Standard package without PSU
EBD050 1***** North America Calyx 5G / EBD050	5G NR NSA: n2, n5, n7, n12, n13, n14, n25, n26, n29, n30, n38, n41, n48, n66, n70, n71, n77, n78 5G NR SA: n2, n5, n7, n12, n13, n14, n25, n26, n29, n30, n38, n41, n48, n66, n70, n71, n77, n78 4G (LTE-FDD): B2, B4, B5, B7, B12, B13, B14, B17, B25, B26, B29, B30, B66, B71 4G (LTE-TDD): B38, B41, B42, B43, B48	EBD050100000 / Standard package without PSU
EBD070 0***** Global ¹ Calyx 5G Red Cap / EBD070	5G NR SA: n1, n2, n3, n5, n7, n8, n12, n13, n14, n18, n20, n25, n26, n28, n30, n38, n40, n41, n48, n66, n70, n71, n77, n78, n79 4G (LTE-FDD): B1, B2, B3, B4, B5, B7, B8, B12, B13, B14, B17, B18, B19, B20, B25, B26, B28, B30, B66, B70, B71 4G (LTE-TDD): B34, B38, B39, B40, B41, B42, B43, B48	EBD070000000 / Standard package without PSU

Calyx spatial measurements

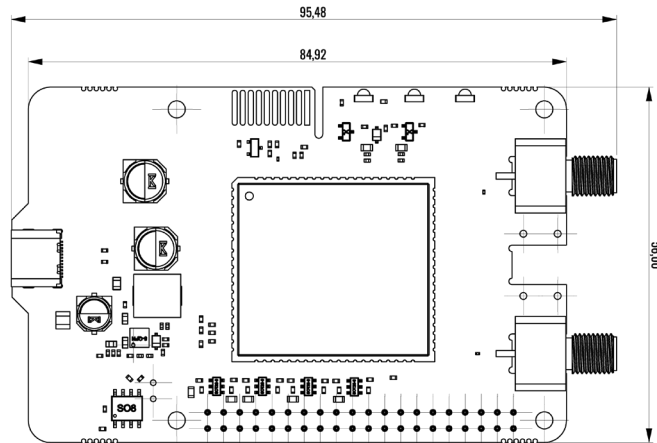
Available versions

EBD021 EBD070 device measurements	56 x 23.11 x 95.48 mm
EBD050 device measurements	56 x 23.11 x 108 mm
Box (W x H x D):	102 x 31 x 102 mm

EBD021 & EBD070

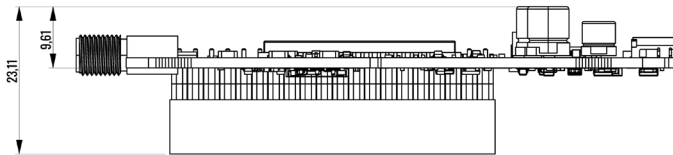
TOP VIEW

The figure below depicts the measurements of device and its components as seen from the top:



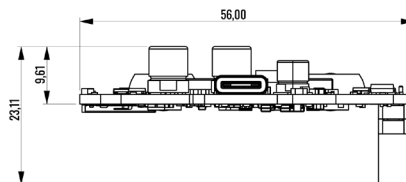
LEFT VIEW

The figure below depicts the measurements of device and its components as seen from the left side:



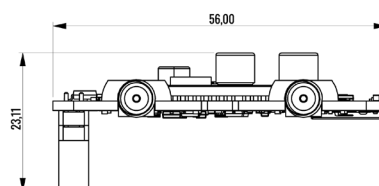
FRONT VIEW

The figure below depicts the measurements of device and its components as seen from the front side:



REAR VIEW

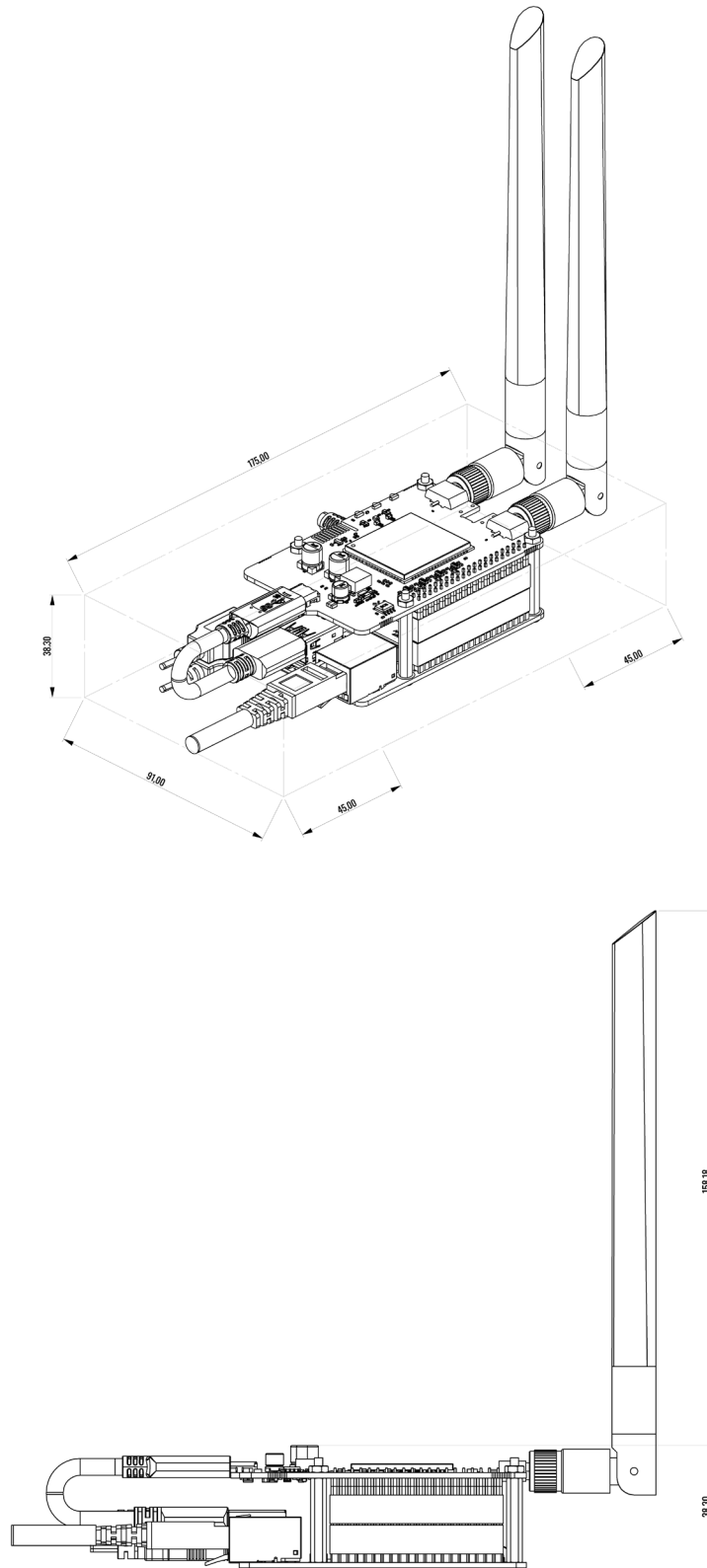
The figure below depicts the measurements of device and its components as seen from the rear side:



EBD021

MOUNTING SPACE REQUIREMENTS

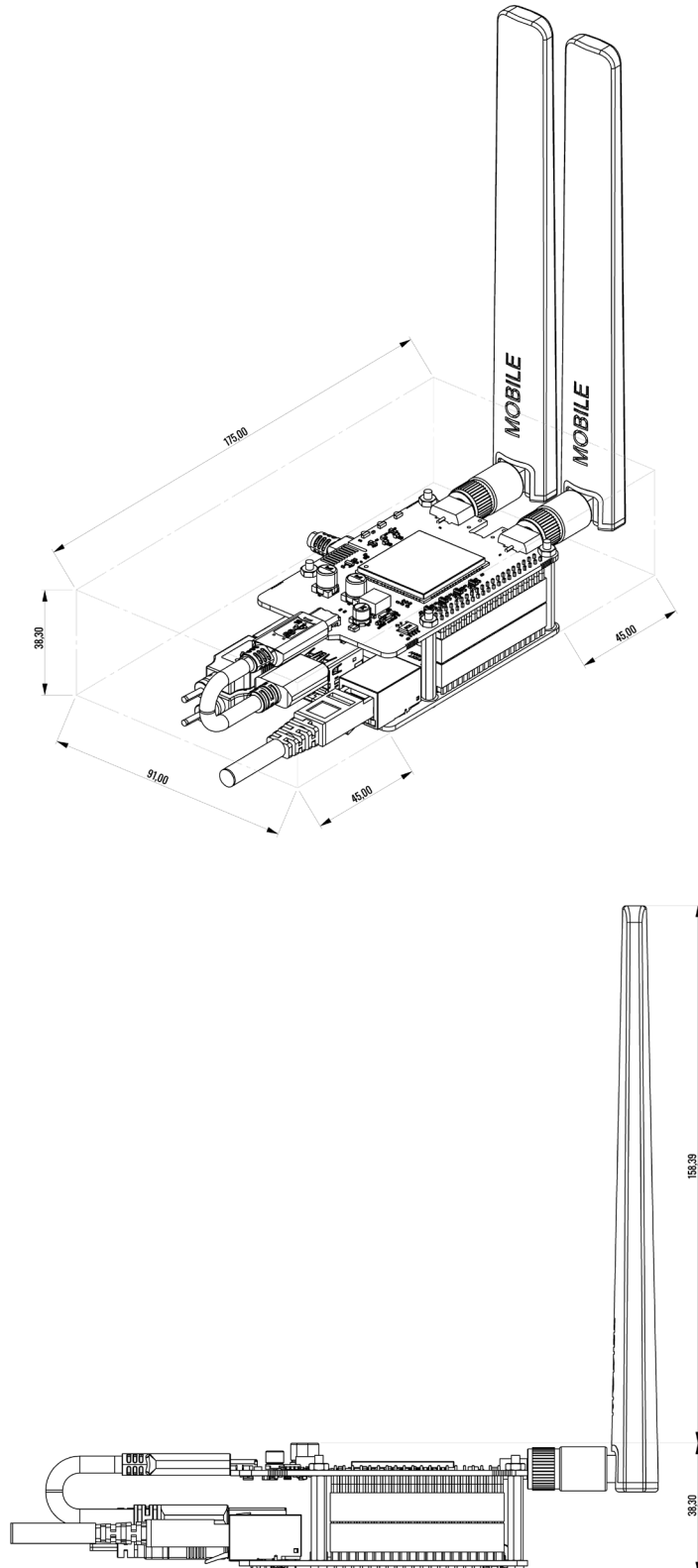
The figure below depicts an approximation of the device's dimensions when cables and antennas are attached:



EBD070

MOUNTING SPACE REQUIREMENTS

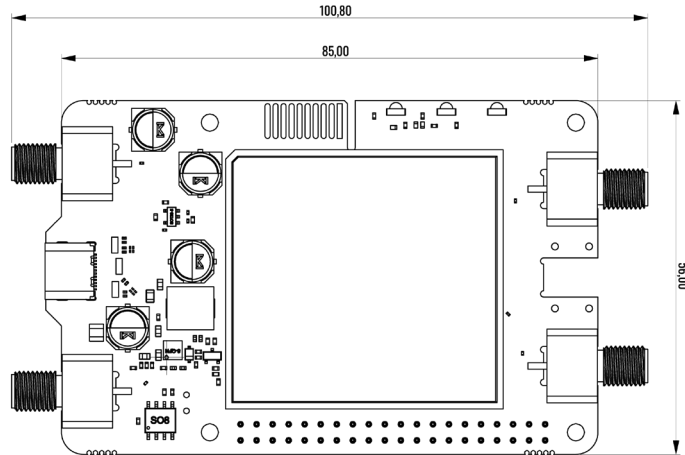
The figure below depicts an approximation of the device's dimensions when cables and antennas are attached:



EBD050

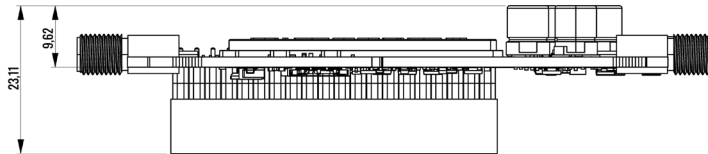
TOP VIEW

The figure below depicts the measurements of device and its components as seen from the top:



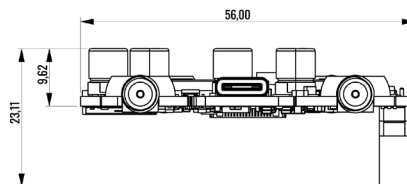
LEFT VIEW

The figure below depicts the measurements of device and its components as seen from the left side:



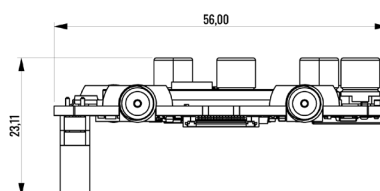
FRONT VIEW

The figure below depicts the measurements of device and its components as seen from the front side:



REAR VIEW

The figure below depicts the measurements of device and its components as seen from the rear side:



MOUNTING SPACE REQUIREMENTS

The figure below depicts an approximation of the device's dimensions when cables and antennas are attached:

